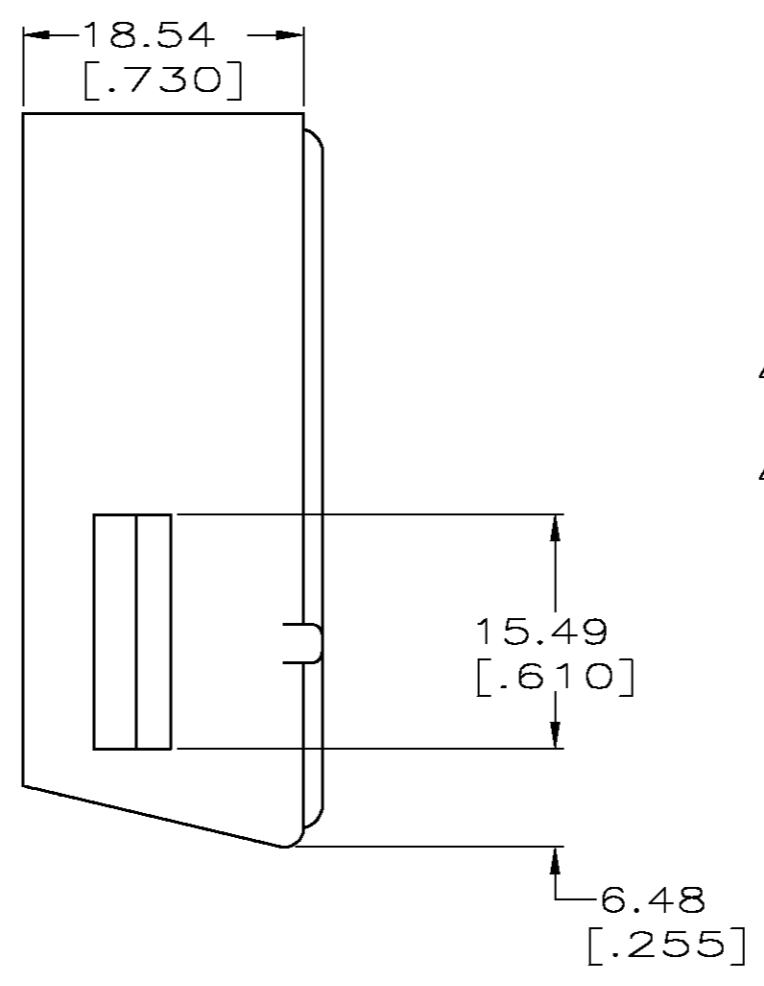
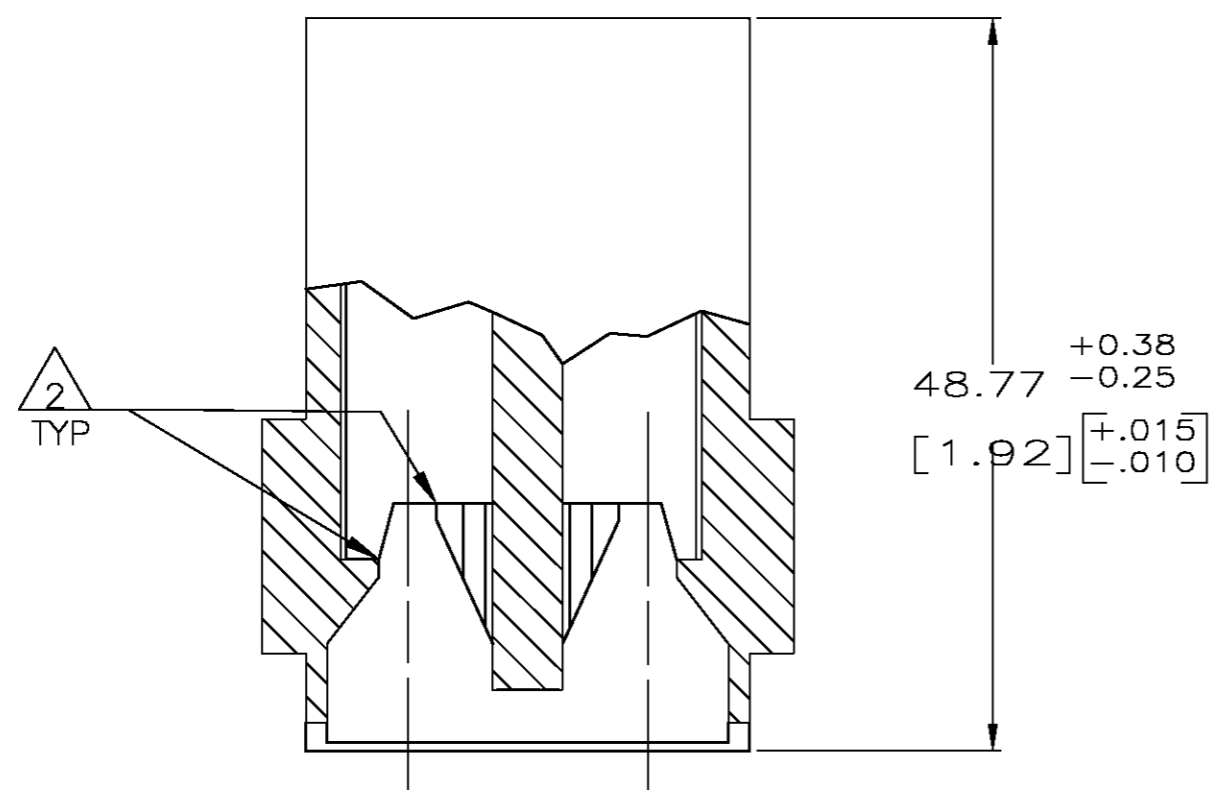
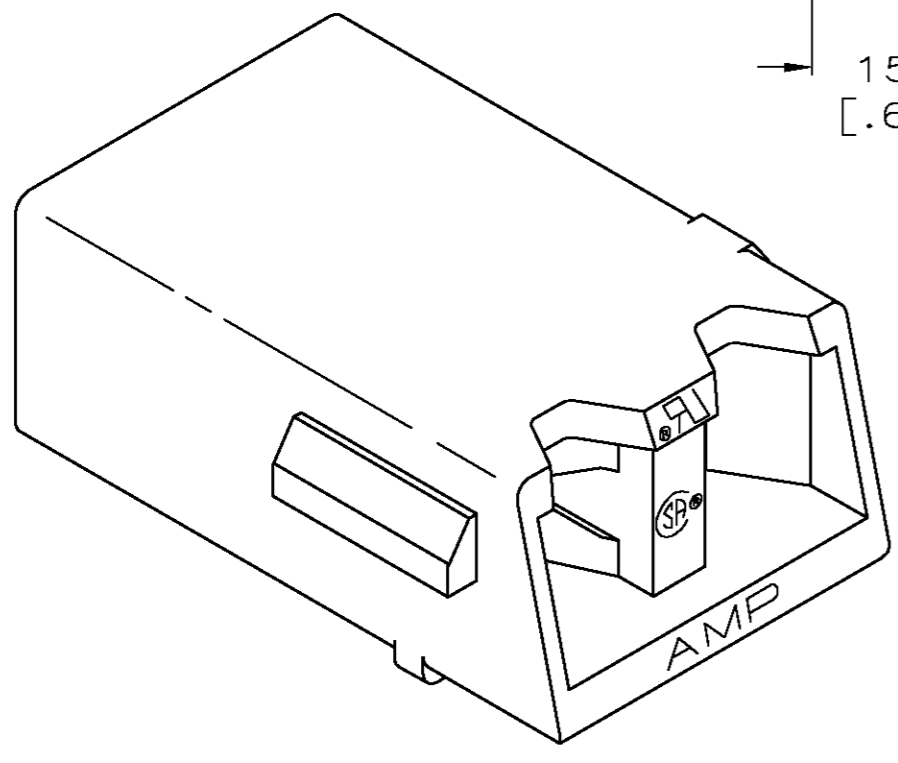
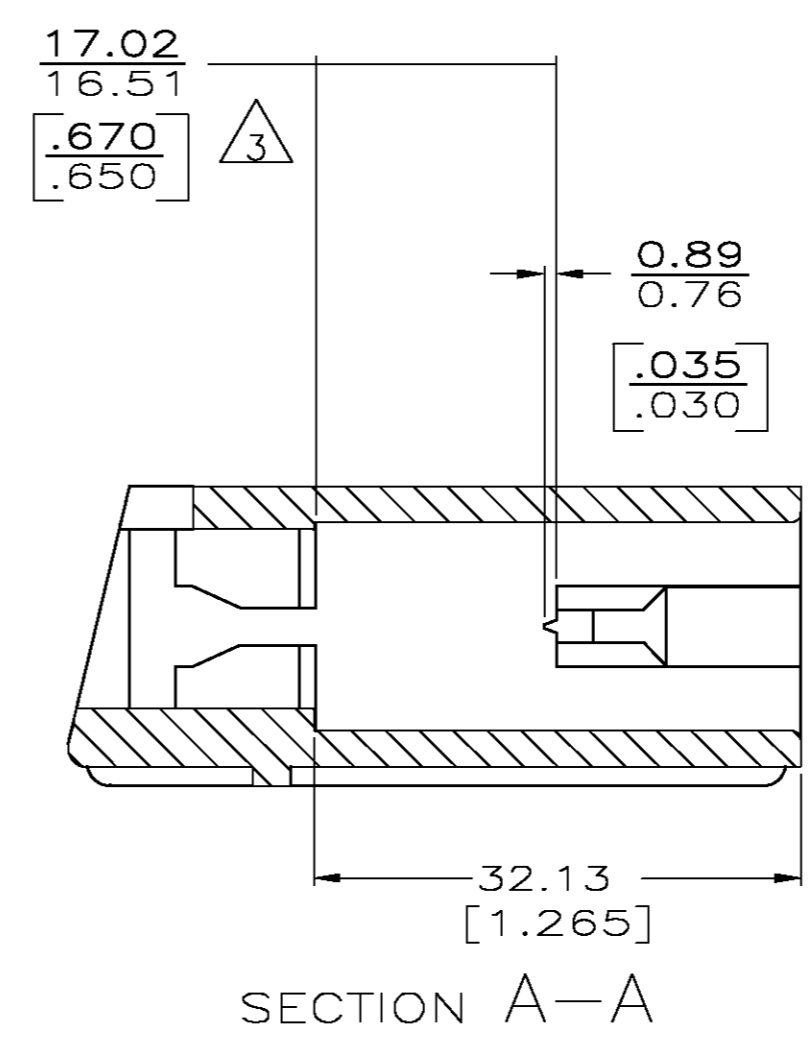
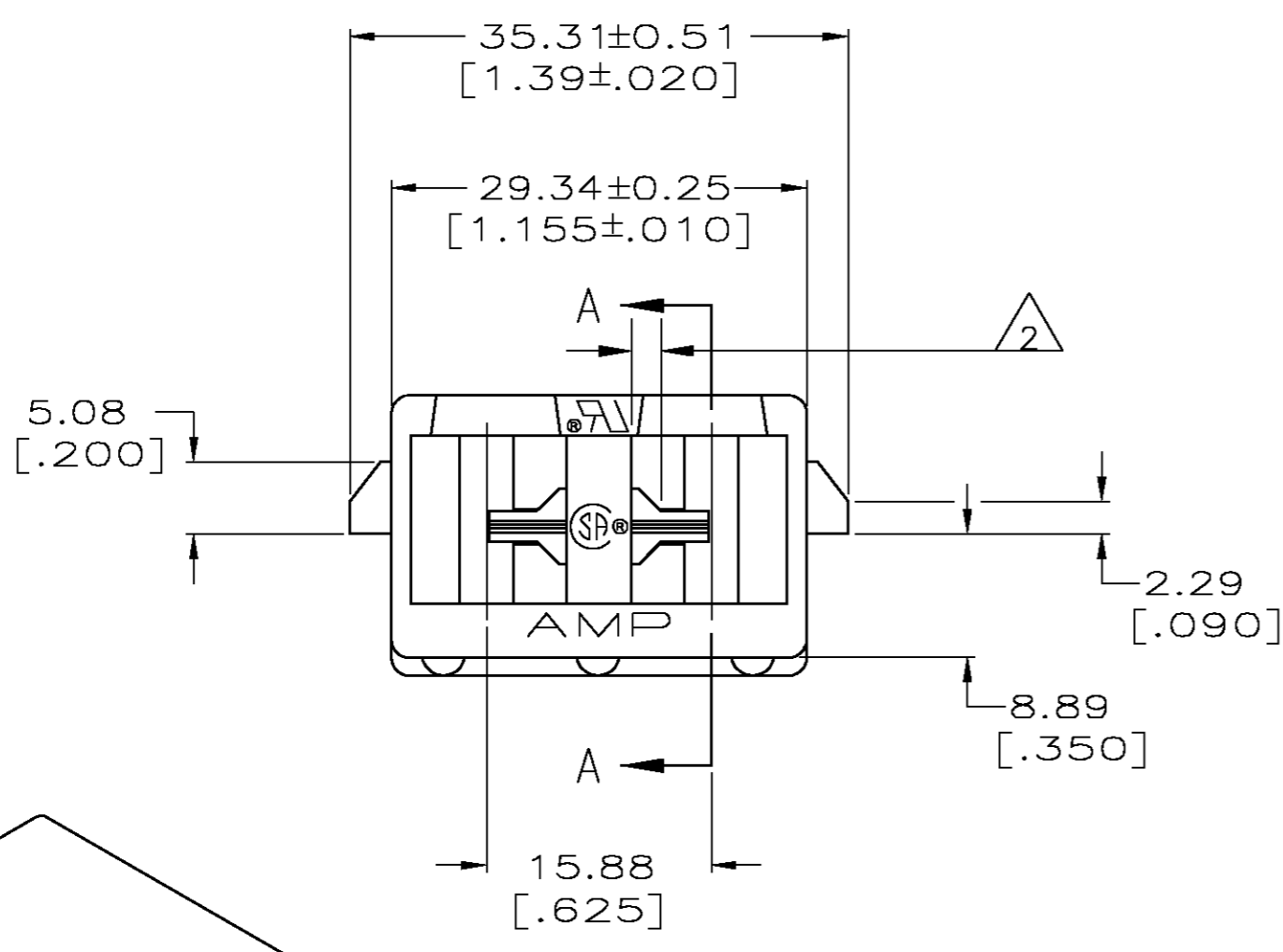


THIS DRAWING IS UNPUBLISHED. RELEASED FOR PUBLICATION  
 © COPYRIGHT BY TYCO ELECTRONICS CORPORATION. ALL RIGHTS RESERVED.

LOC	DIST	REVISIONS			
P	LTR	DESCRIPTION	DATE	DWN	APVD
AF	50	E	REV PER 0G3A-0790-04	07OCT04	JR DD



- 1. ACCEPTS CONTACT 640748.
- 2 .025 MAX INTERNAL FLASH PERMITTED IN AREA INDICATED.
- 3 .090 MAX FLASH PERMITTED ALONG 45° SHUTOFF SURFACE WITHIN .670/.650 LENGTH.



3-DIMENSIONAL MODEL NTS

770500-1  
PART NO.

THIS DRAWING IS A CONTROLLED DOCUMENT.		DWN P FORTNEY 10-22-90		Tyco Electronics Corporation Harrisburg, Pa 17105-3608	
DIMENSIONS: MM [ INCHES ]		CHK JR RUTH 10-22-90		NAME K SHANK	
TOLERANCES UNLESS OTHERWISE SPECIFIED:		APVD K SHANK 10-22-90	PRODUCT SPEC		
0 PLC ± -		APPLICATION SPEC			
1 PLC ± -		-			
2 PLC ± 0.25 [.010]		-			
3 PLC ± -		-			
4 PLC ± -		-			
ANGLES ± -		-			
FINISH		-			
MATERIAL PHENOLIC	BLACK	WEIGHT -	SIZE A2	CAGE CODE 00779	DRAWING NO C=770500
CUSTOMER DRAWING			SCALE 2:1	SHEET 1 OF 1	REV E